

**SERVICE MANUAL**

**&**

**PARTS LIST**

**PE-DESIGN Version 8.0**

06. 2008.  
12. 2009.

# Table of Contents

## \* Service Manual

I. Main Configuration .....2

II. Diagnosing a Breakdown in the Electrical System .....4

\* Parts List.....5

## ■ GENERAL INFORMATION

This service manual has been compiled for explaining repair procedures of the Card module.

This was produced based on up-to-date product specifications at the time of issue, but there may have been changes of specifications for the purpose of improvements.

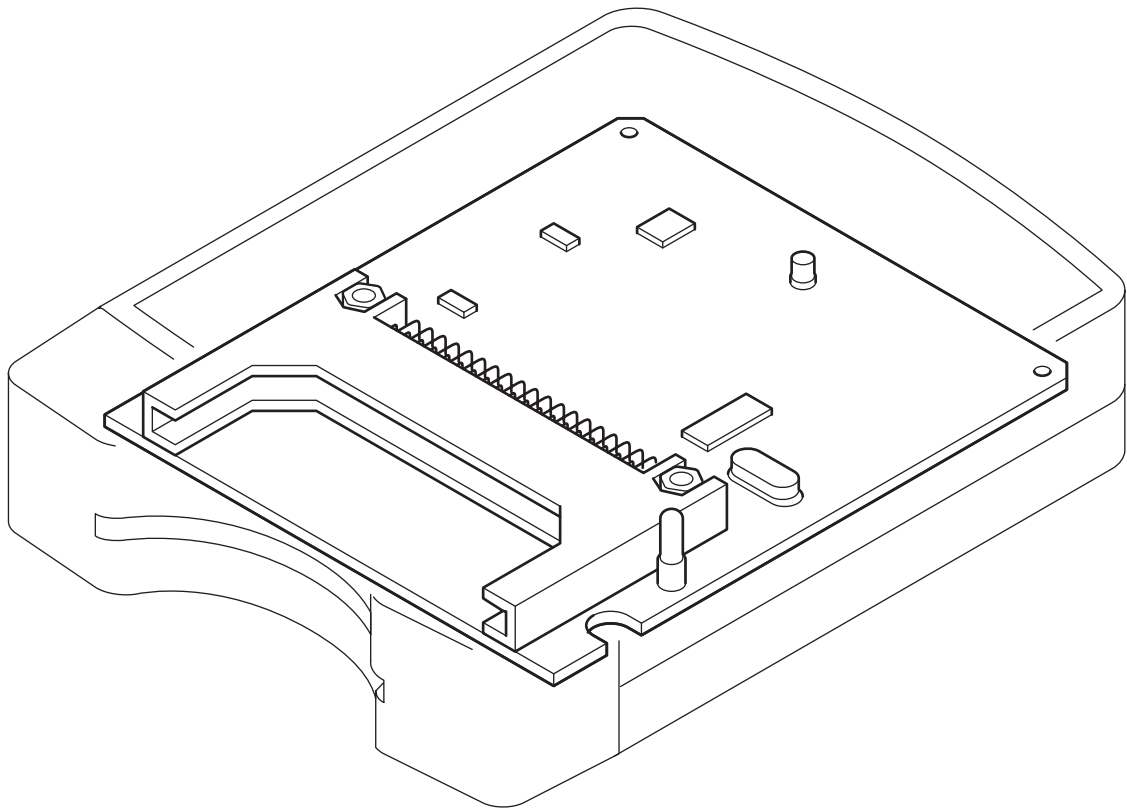
Contact manufacturer or local sales company for information concerning such changes.

## ● CAUTION ●

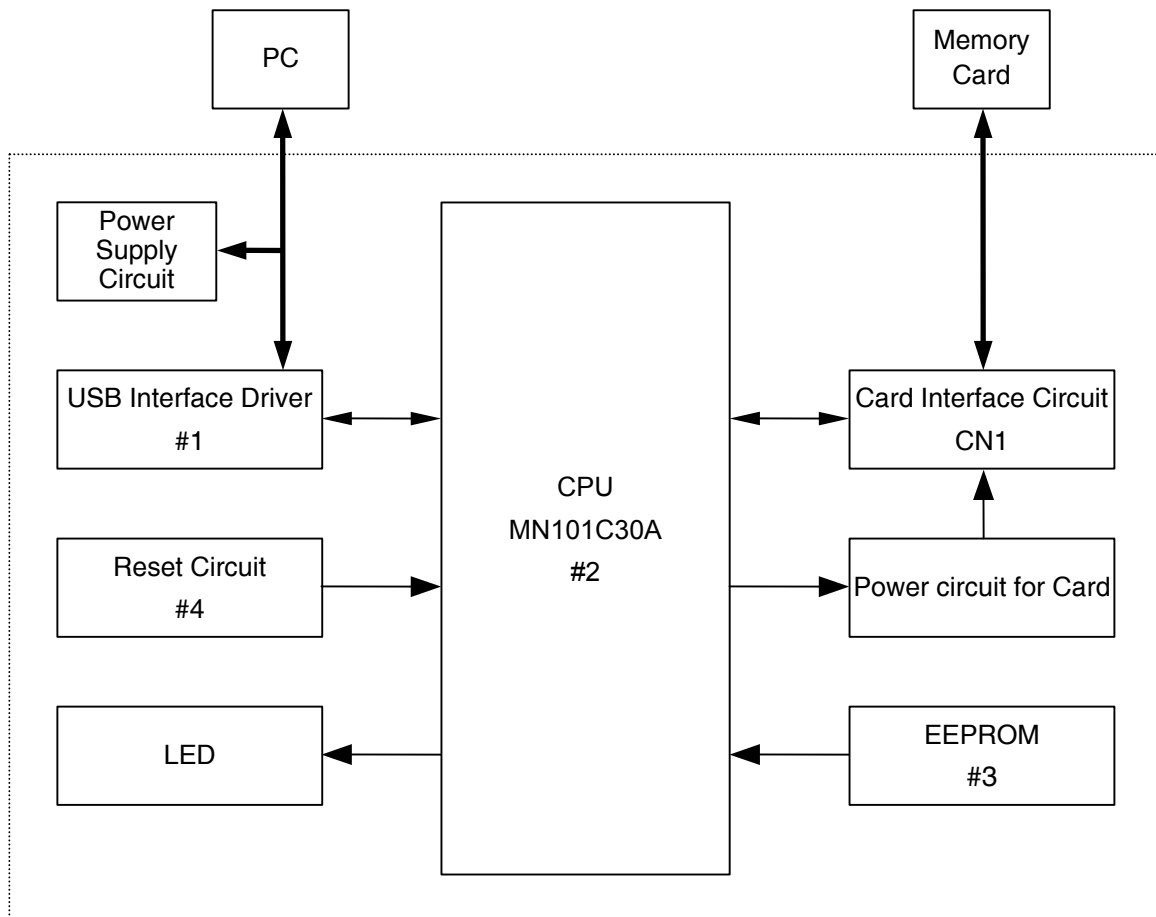
1. Always use rubber gloves when handling printed circuit boards and never touch the metal portion of a printed circuit board with bare hands.
2. Keep your body earthed in order to avoid generating static electricity.
3. Pack printed circuit boards in aluminum foil and avoid subjecting them to any form of impact during storage or transportation.
4. Do not touch or damage the metal portion of a printed circuit board with a screwdriver or any other tool while making repairs or the like.

# I. Main Configuration

## 1. Main Components



## 2. Control System Block Diagram



## II. Diagnosing a Breakdown in the Electrical System

### Diagnosing a breakdown in the electrical components

Situation	Locating the Problem	Solution
① Even though the USB connector of the unit is connected to the USB connector of the computer, the unit's LED does not light up.	① Is the bus power hub not connected? ② If the unit is connected to another computer, does the unit's LED light up? ③ Others	① Connect the unit directly to a computer or to a self-powered hub. ② Check the USB interface of the original computer. ③ Replace the main PC board assy.
② Even though a memory card is inserted, a message warning that a card is not inserted appears.	① Is the memory card fully inserted? ② Does the error message appear when another memory card is inserted? ③ Others	① Check that the card is fully inserted. ② Use a different memory card. ③ Replace the main PC board assy.
③ A message warning that the driver may not be installed correctly appears.	① Was installation performed according to the instructions? ② Others	① Perform the installation again. ② Perform the installation again. (After uninstalling the application and the driver, perform the installation again.)

\* Parts List

Main body

1	XE5375001	ASSY, MAIN PCB BROTHER8
2	XC3891021	PANEL
3	XC2110021	UPPER COVER
4	XC2111021	LOWER COVER
5	XC2112023	SIDE COVER
6	083201016	TAPTITE, PAN P M2X10
7	XE5165001	INSTRUCTION BOOK ENG (USA, CAN, UK, EEU, NEU, AUS)
	XE5169001	INSTRUCTION BOOK SPA (USA, ARG, CHL, SPA)
	XE5167001	INSTRUCTION BOOK FRE (CAN, FRA, SWI)
	XE5173001	INSTRUCTION BOOK POR (BRA)
	XE5166001	INSTRUCTION BOOK GER (GER, SWI, EEU)
	XE5168001	INSTRUCTION BOOK DUT (FRA)
	XE5170001	INSTRUCTION BOOK ITA
	XE5171001	INSTRUCTION BOOK RUS
	XE5469001	INSTRUCTION BOOK ASSY CHN
8	XD0569020	BAG 220X325HC
9	XE5194001	CARTON (USA, ARG, CHL, BRA)
	XE5193001	CARTON (CAN, GER, UK, FRA, SPA, ITA, SWI, EEU, NEU, AUS)
	XE5426001	CARTON (RUS)
	XE5193001	CARTON (CHN)
10	X61817020	INTERIOR CONTAINER
11	XA2214021	BAG, 150X200
	XE5175001	INSTALL GUIDE ENG (USA, CAN, UK, EEU, NEU, AUS)
	XE5179001	INSTALL GUIDE SPA (USA, ARG, CHL, SPA)
	XE5177001	INSTALL GUIDE FRE (CAN, FRA, SWI)
	XE5183001	INSTALL GUIDE POR (BRA)
	XE5176001	INSTALL GUIDE GER (GER, SWI, EEU)
	XE5178001	INSTALL GUIDE DUT (FRA)
	XE5180001	INSTALL GUIDE ITA
	XE5181001	INSTALL GUIDE RUS
	XE5182001	INSTALL GUIDE CHN
	XE6225001	INSTALL GUIDE NOR/DAN/SWE/FIN (NOR, DEN, SWE, FIN)
	XC8872021	POSITIONING SHEET
	XC8883021	WARRANTY CARD (U.S.A.)
	LA1661001	WARRANTY CARD EURO CH (GER, UK, FRA, ITA, SWI, EEU, NEU, BEL, NLD)
	XC6402021	WARRANTY CARD UK
	XE5609101	WARRANTY CARD 5YEARS ITA (ITA)
	XE5572001	WARRANTY CARD BROTHER RUS (RUS)
	LW3135004	GEE WARRANTY CARD
	181401173	INSERTION WARRANTY COUPON (CAN)
	XD0256121	INSERTION WEEE (GER, UK, FRA, SPA, ITA, SWI, EEU, NEU)
	XE5611001	REGISTRATION CARD ITA (ITA)
	XE6224001	INSTRUCTION CD (NOR, DEN, SWE, FIN)

